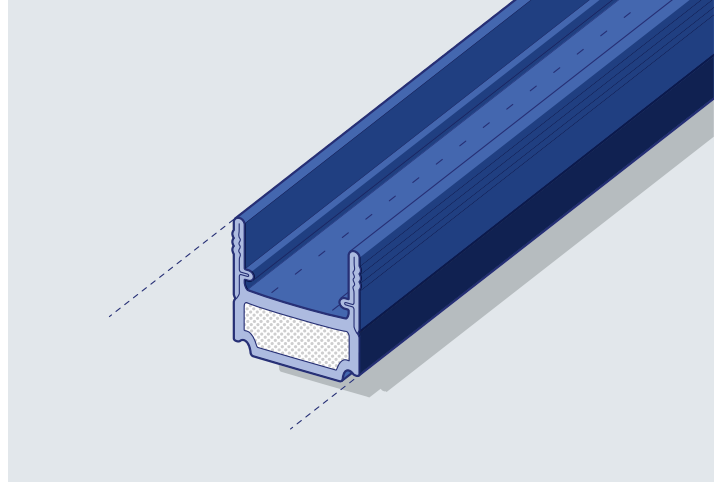


TGI-Spacer Pellini - Our internal blinds specialist

The TGI-Spacer Pellini is a spacer with integrated locating and guiding elements, specially designed for use with internal blinds while keeping Psi values low within the whole system.

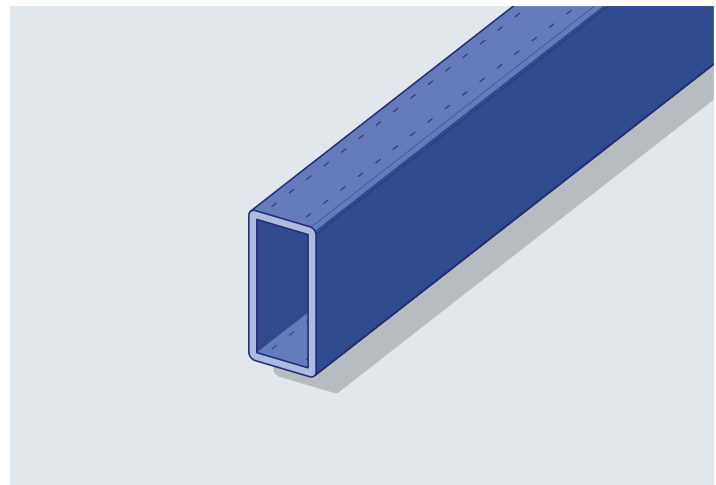
TGI-Muntin - Less contact, more performance

Our "muntin" glazing bar system can be positioned within an insulating glass unit without any direct contact with the glass. It is aesthetically identical to the TGI-Spacer M, giving insulating glazing manufacturers a complete thermally optimized system that meets current thermal insulation requirements and will also meet the tighter requirements of tomorrow. Cross-shaped muntin bar connectors are used to connect profiles and are matched to the exact profile width in each case.



You can benefit from the following advantages:

- No noise or damage to the surface of the glass
- Low Psi values
- High-quality appearance



You can benefit from the following advantages:

- Low heat conductivity of just 0.25 W/mK
- Very high profile stability and low coefficient of linear expansion due to integrated glass fibres
- Perfect processability together with TGI-Spacer M